

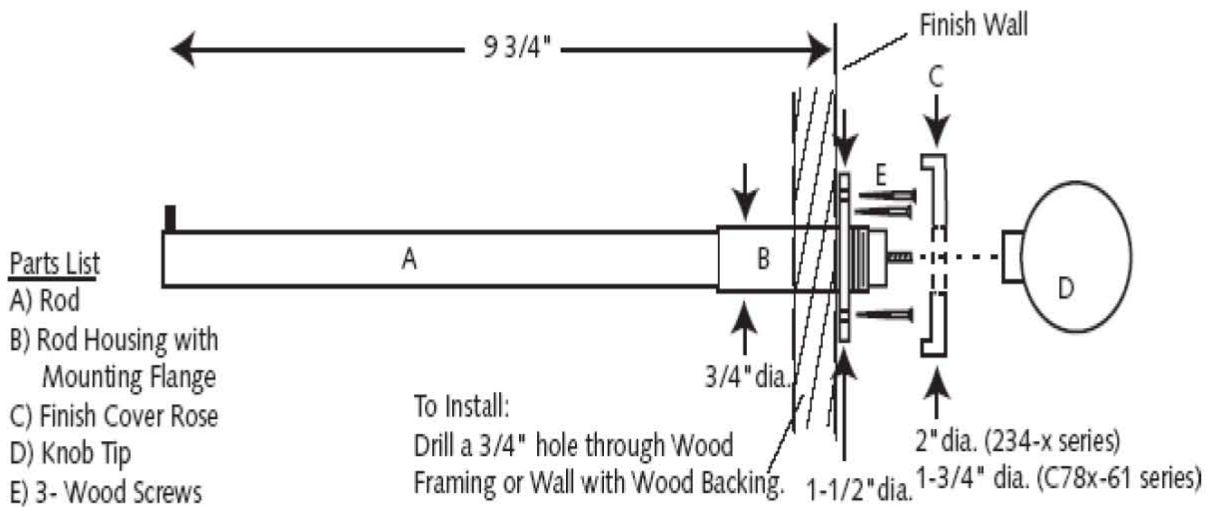
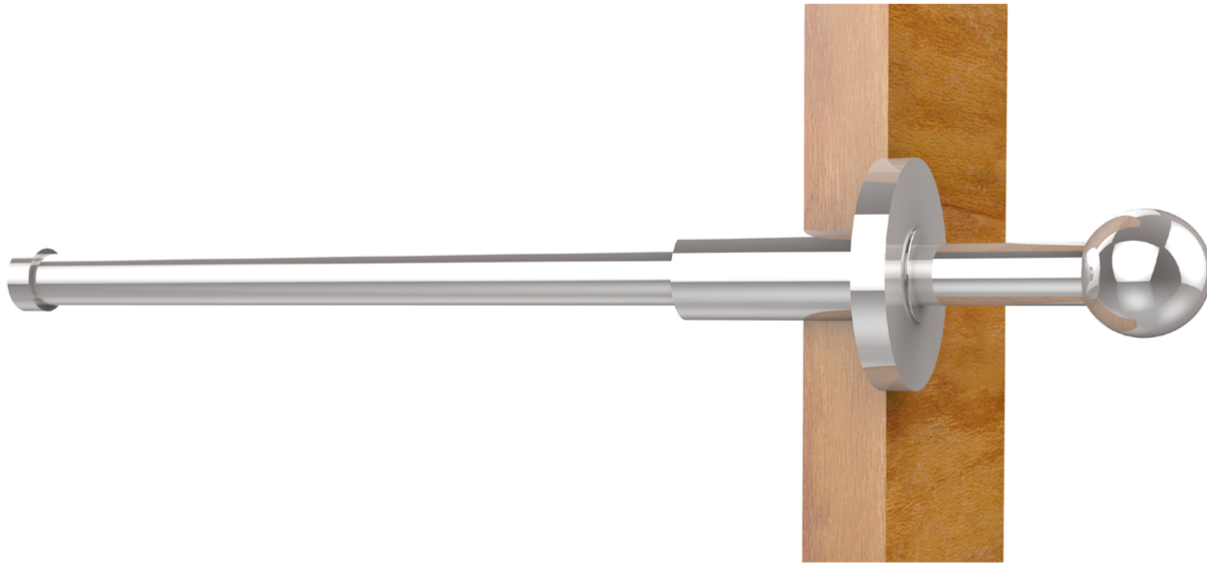
TD-23 Pull Out Garment Rod



ALLIED BRASS INC.

195 Duke Street • Louisa, VA 23093

Toll Free: (888) 56-
BRASS
Phone: (540) 967-5970
Fax: (540) 967-2580
www.alliedbrass.com
sales@alliedbrass.com



INSTALLATION INSTRUCTIONS

- 1- DRILL 3/4" INTO WALL – MINIMUM DEPTH 10"
- 2- INSERT ROD (A) INTO ROD HOUSING (B)
- 3- SLIP (A) AND (B) INTO WALL- FASTEN 3 SCREWS
- 4- SCREW FINISH ROSE (C) ONTO HOUSING (B)
- 5- SCREW PULL-OUT KNOB (D) ONTO PULL-OUT ROD (A)

NOTE: WALL SURFACE SHOULD BE SOLID OR UNIT SHOULD INSERT THROUGH WOOD STUD